

SIO TURNSTILES, FLAP BARRIERS AND SWING GATES

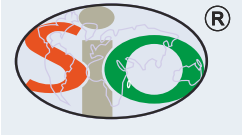


SIO VASUNDDHARA
INTERNATIONAL PRIVATE LIMITED

PEOPLE | CUSTOMERS | GROWTH

K - 2/836, Vasant Kunj Road, Near Mata Chowk, Mahipalpur, New Delhi - 110 037, INDIA.
Ph: +91 11 2678 5169 / 4103 2065 • Email: contact@sio.co.in • Web: www.sio.co.in
For Distribution Inquiries: +91 99104 89457 • For Institutional Inquiries: +91 99589 98108

SIO Compact Tripod Turnstiles.



Compact design, wide product range, reasonable price and proven high reliability make SIO compact tripod turnstiles bestselling universal solutions for access control at entrance points of commercial and entertainment hubs, corporate houses and large business offices.

SIO Compact Turnstiles for Indoor Application

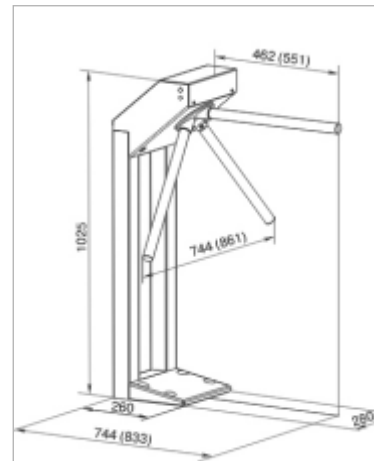
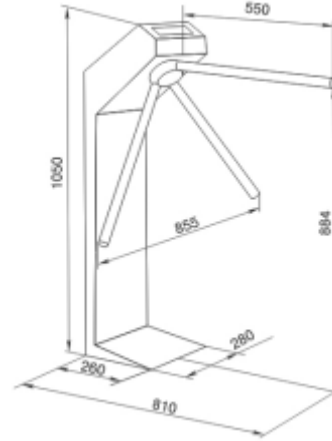
High throughput capacity of this model enables effective management of even intense pedestrian flows.

Delivery set

- Turnstile with built-in Electronics
- Remote Control Panel

Features & Benefits:

- It can be operated from the remote control panel included in a standard delivery set or a wireless remote control (optional) and can be easily integrated into most access control systems.
- Can be preset to operate in either pulse or potential control mode, ensuring compatibility with most access control systems.
- An operating mode for locking or opening the turnstile can be independently set for each passage direction. They come with built-in optical arm rotation sensors to ensure accurate registration of each passage through the turnstile as well as the passage direction.
- It is designed with the control logic board installed inside the turnstile housing. After each passage the barrier arms are automatically returned to home position by a self-centering mechanism. A built-in hydraulic damper makes the turnstile operation smooth and quiet.
- A key override allows an operating technician to unlock both directions of the turnstile to override an access control system in case of emergency or power failure. The mechanical release lock is built into the turnstile housing as standard and provides free rotation of the barrier arms.



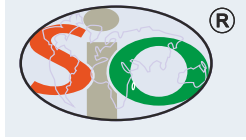
SIO Compact Turnstiles for Indoor Application (Lite)

The Light variant comes with an attractive price thanks to a lightweight construction of the housing, a modified hub and a simpler light indication reducing the manufacturing cost

Technical Specifications:

| | SIO COMPACT TRIPOD | SIO COMPACT TRIPOD (LITE) |
|---|---------------------|--|
| Operating voltage | 12 V DC | 12 V DC |
| Throughput rate (in the single passage mode) | 30 persons/min | 30 persons/min |
| Overall dimensions (L x W x H) | 280 x 260 x 1050 mm | 280 x 260 x 1025 mm |
| Passage width | 600 mm | 500 mm (with AS-05 barrier arms) 600 mm (with AS-04/AA-04 barrier arms) |
| Ingress Protection Rating | IP41 under EN 60529 | IP41 under EN 60529 |
| Operating temperature range | from +1°C to + 40°C | from +1°C to + 40°C |

SIO Compact Tripod Turnstile With Automatic Anti Panic



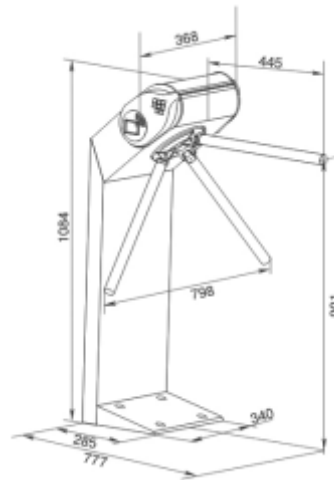
SIO Weatherproof Compact Tripod Turnstile, designed for outdoor use without shelter, is a modern solution for access control. It is fitted with automatic "Anti-panic" folding arms and LED indication. In case of power loss or by a signal from an ACS or emergency button the barrier arm automatically falls down leaving the passage free in emergency situations.

Delivery set

- Turnstile with built-in electronics
- Hub with automatic "Anti-panic" barrier arms
- Remote control panel

Features & Benefits:

- With its compact design it can be applied at entrance points of various configurations.
- The turnstile performs emergency folding of barrier arms by remote signal from an access control system or at a power loss. When the power is restored to bring back the folded arm into operating position (blocking the passage) just lift it manually.
- It can be operated from the remote control panel included in a standard delivery set or a wireless remote control (optionally) and can be easily integrated into most access control systems. Its pulse or potential control mode preset modes make it compatible with most access control systems.
- An operating mode for locking or opening the turnstile can be independently set for each passage direction. The turnstile comes with built-in optical arm rotation sensors to ensure accurate registration of each passage through the turnstile as well as the passage direction.
- It is designed with the control logic board installed inside the turnstile housing. After each passage the barrier arms are automatically returned to home position by a self-centering mechanism. A built-in hydraulic damper makes the turnstile operation smooth and quiet.



Technical Specifications:

SIO COMPACT ANTI PANIC

| | |
|--|------------------------|
| Operating voltage | 12 V DC |
| Power consumption | max 72W |
| Throughput rate (in the single passage mode) | 30 persons/min |
| Throughput rate (in the free passage mode) | 60 persons/min |
| Turnstile overall dimensions (LxWxH) | 777 x 798 x 1084 mm |
| Passage width | 500 mm |
| Operating temperature range | from -20°C to +55°C |
| Mean time to failure | min 1 500 000 passages |
| Mean lifetime | 8 years |



SIO Box Tripod Turnstiles.



Designed in modern style, it provides a secure, elegant and modern-looking solution for outdoor and indoor applications. Installed in a line several turnstiles form a secure passageway without installation of extra guide barriers.

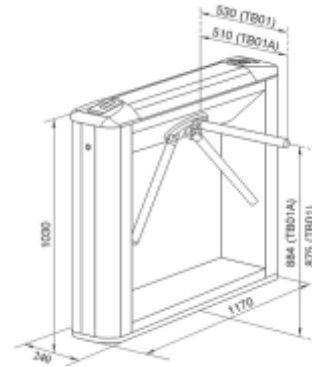
SIO Box Tripod Turnstile With Card Readers

Delivery set

- Turnstile with built-in electronics and 2 readers (EMM/HID)
- Remote control panel

Features & Benefits:

- The Built-in card readers will save you equipment purchase and installation expenses.
- The turnstile top cover features LED direction indicators.
- In case of emergency the turnstile can be unlocked with a mechanical release key, ensuring free rotation of barrier arms in both directions.



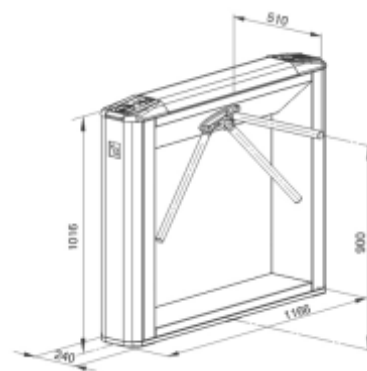
SIO Box Tripod Turnstile With Anti Panic

Delivery set

- Turnstile with built-in electronics
- Automatic anti-panic folding arms
- RC panel

Features & Benefits:

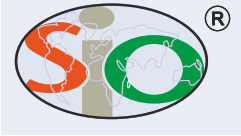
- Modern stainless steel performance. LED indication on the front panels and top cover.
- Places for concealed mounting of proximity card readers in the turnstile housing with special LED pictogram indication
- Automatic anti-panic function



Technical Specifications:

| | WITH CARD READERS | WITH ANTI PANIC | FOR INDOOR APPLICATION |
|--|----------------------|----------------------|------------------------|
| Operating voltage | 12 ± 1.2 V DC | 12 V DC | 12 V DC |
| Overall dimensions with barrier arms installed (L x W x H) | 1170 x 240 x 1030 mm | 1166 x 240 x 1016 mm | 980 x 220 x 1010 mm |
| Throughput rate (in the single passage mode) | 30 persons/min | 30 persons/min | 30 persons/min |
| Throughput rate (in the free passage mode) | 60 persons/min | 60 persons/min | 60 persons/min |
| Passage width | 500 mm | 560 mm | 500 mm |
| Operating temperature range | from +1°C to + 40°C | from -20°C to +55°C | from +1°C to + 40°C |
| Ingress Protection Rating | IP41 under EN 60529 | | IP41 under EN 60529 |
| Number of readers (HID/EM-Marin) | 2 | | |
| Directions controlled | Bidirectional | | |
| Reading range | EMM-8 cm, HID-5 cm | | |

SIO Waist High Rotor Turnstile.



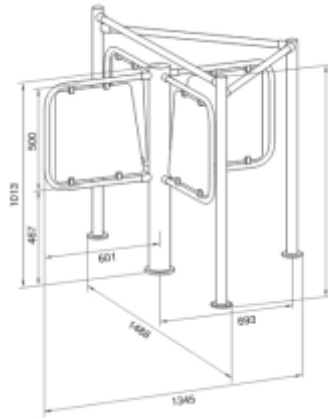
They are designed for control of access at entrance points where security and comfort of passage are equally important.

Delivery set

- Turnstile Housing and Guide Barrier Set
- Remote Control Panel & Unit with power supply and battery

Features & Benefits:

- High durability and injury-free operation. The electric drive provides smooth, noiseless and inertia-free rotation.
- Red/Green status lights on Guide Barrier Posts indicate the direction of authorized passage and the turnstile status.
- Key override control enables mechanical unblocking of the turnstile for free rotation in both directions.



Technical Specifications:

| | | | |
|---|----------------|------------------------------------|-----------------------|
| Operating voltage | 24 V DC | Overall dimensions (L x W x H) | |
| Throughput rate (in the single passage mode) | 23 persons/min | - Turnstile | 1013 x 1202 x 1202 mm |
| Passage width | 600 mm | - Turnstile with guide barrier set | 1127 x 1343 x 1484 mm |
| | | Ingress Protection Rating | IP53 under EN 60529 |
| | | Operating temperature range | from +1°C to +45°C |

SIO Full Height Rotor Turnstiles.

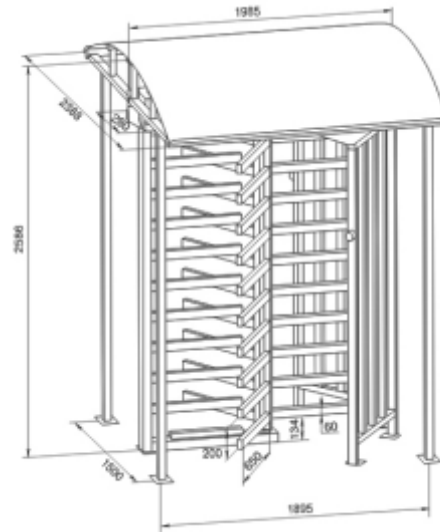
The SIO full height rotor turnstile offers a combination of complete closure of passageway, modern design and high throughput performance.

Delivery set

- Turnstile with internal electronics
- Guide barrier set
- Remote-control panel

Features & Benefits:

- The Aluminium structure of the turnstile offers utmost reliability and vandal resistance, and ensures turnstile stable operation even in harsh environment for many years.
- The fine powder coating with mica iron-effect provides superior corrosion protection, effective electric insulation and improved impact resistance.
- The turnstile is provided with bright built-in LED indicators to show if access is granted or denied.
- It can be operated from the remote control panel included in a standard delivery set and can be easily integrated into most access control systems.



Technical Specifications:

| | |
|---------------------------------|-----------------------|
| Operating voltage | 24 ± 2 V DC |
| Throughput capacity | 20 persons/min |
| - in the single passage state | 30 persons/min |
| - in the free passage state | |
| Passage width | 755 mm |
| Number of operating modes | |
| - in the pulse control mode | 6 |
| - in the potential control mode | 3 |
| Overall dimensions (L x W x H) | 1895 x 1500 x 2588 mm |
| Operating temperature | -40°C to +55°C |
| Ingress Protection Rating | IP53 under EN 60529 |

SIO Swing Gates.

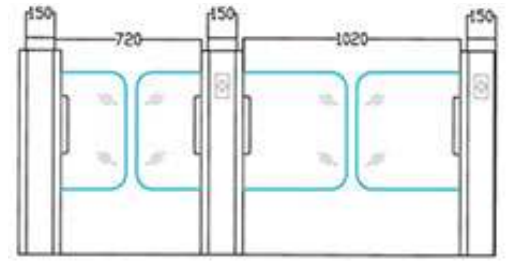
Features & Benefits:

- They allow contact-less access with minimum supervision, and are user friendly for people with bags or luggage.
- They use a sensor-controlled passage way and are equipped with an alarm system to prevent any unauthorized entry.
- Modern and attractive designs with variety of customization options available to complement the surroundings.
- They are wheelchair friendly.

Applications:

They are widely used in high security areas like financial buildings and airport immigrations.

Technical Specifications:



| | | | |
|-----------------------|---|---------------------|----------------------|
| Operating voltage | 24 V 100 W | Console (L x W x H) | 1400 x 150 x 1045 mm |
| Input voltage (AC) | 220V 50Hz | Passage width | 1000 mm |
| Adjustable cycle time | 0.5 - 0.8 sec | Swing door width | 440 mm |
| Add Ons | Tail-gate sensor, Crawl sensor, LED sensor, Reader mounting | Total width | 1300 mm |

SIO Flap Barriers.

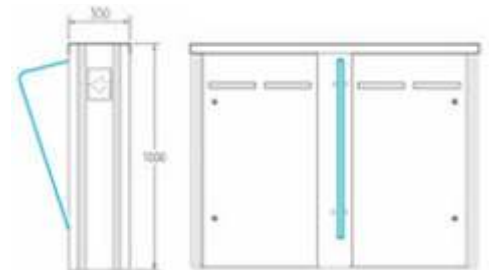
Features & Benefits:

- Provides fast access clearance with minimum supervision.
- It uses 2 acrylic wings for access control. The lanes can be configured for entry, exit or bi-directional access.
- Safety measures are installed for proper access and obstruction prevention.
- It is wheelchair friendly.

Applications:

They are widely used in subways, immigration checkpoints and airports.

Technical Specifications:



| | | | |
|---------------------------|---|---------------------|----------------------------|
| Operating voltage (rated) | 2.5 (typical), 4A (inrush) | Console (L x W x H) | 1400 x (300-480) x 1000 mm |
| Input voltage (AC) | 220V 50Hz | Passage width | 550-900 mm |
| Adjustable cycle time | 0.5 - 0.8 sec | Total width | 1150 mm |
| Add Ons | Tail-gate sensor, Crawl sensor, LED sensor, Reader mounting | | |



www.sio.co.in

SIO VASUNDDHARA INTERNATIONAL PVT. LTD.

Founded with the vision to work with fairness, honesty and courtesy towards all internal and external stakeholders to achieve the company's objectives, Sio Vasunddhara International has serviced such prestigious names as ABB, DLF, L&T, PVR, TAJ hotels and resorts, Unitech, Fortis, Airtel, bata, The Oberoi, HP, Raheja developers and many others.