

SIO ACOUSTIC PARTITIONS



SIO VASUNDDHARA
INTERNATIONAL PRIVATE LIMITED

PEOPLE | CUSTOMERS | GROWTH

K - 2/836, Vasant Kunj Road, Near Mata Chowk, Mahipalpur, New Delhi - 110 037, INDIA.
Ph: +91 11 2678 5169 / 4103 2065 • Email: contact@sio.co.in • Web: www.sio.co.in
For Distribution Inquiries: +91 99104 89457 • For Institutional Inquiries: +91 99589 98108

SIO 65 Series.



SIO 65 series operable partition is made of high quality anodized aluminum frame with composite materials. The panel has a standard thickness 65 mm and a width up to 1230 mm. Maximum height can reach 4500 mm tall. Its vertical seal, together with the horizontal top and bottom retractable seals provide excellent acoustic insulation property of maximum STC 45db in laboratory setting. Its high performance per rupee value makes it highly economical and ideal for restaurants, schools, offices, hospitals, shopping malls and many other indoor applications.

PROPERTIES:

- Partition thickness: 65mm
- All aluminum tracks and frames are of clear anodized extruded architectural-grade 6063-T6 alloy
- Practical partitions
- Range of sound insulation coefficient : 32db-36db
- Apply to high-class hotels, restaurants , etc.
- Extend/retract range of the final closure seals : ≤ 100 mm



L - JUNCTION



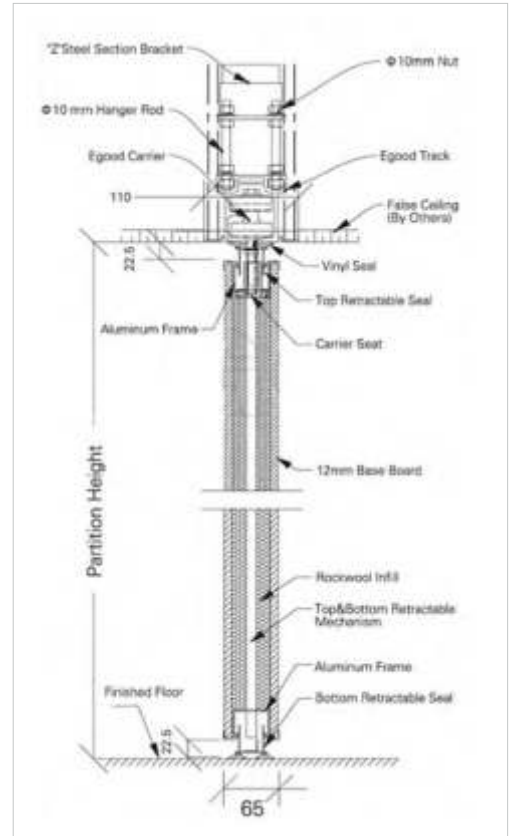
X - JUNCTION



T - JUNCTION



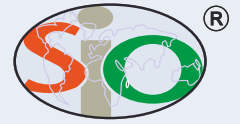
TRACK SYSTEM



VERTICAL SECTION DRAWING



SIO 80 Series.



SIO 80 series operable partition is made of high quality anodized aluminum frame with composite materials. The panel has a standard thickness of 80 mm and a width up to 1230 mm. Maximum height can reach 5500 mm tall. Its vertical seal, together with the horizontal top and bottom retractable seals provide excellent acoustic insulation property of maximum STC 48db in laboratory setting. Its excellent acoustic insulation property and maximum reach allow it to be used in demanding locations such as function rooms at star hotels and convention centers.

PROPERTIES:

- 80 mm thickness panel, Max height up to 5500 mm.
- Top supported without floor track or guide.
- Clear anodized extruded aluminum tracks and frames, customized powder coated color are available.
- Sound insulation coefficient :STC 40db to 48db, ASTM standard of acoustic tested in HongKong.
- Available in wide range of finishes.



L - JUNCTION



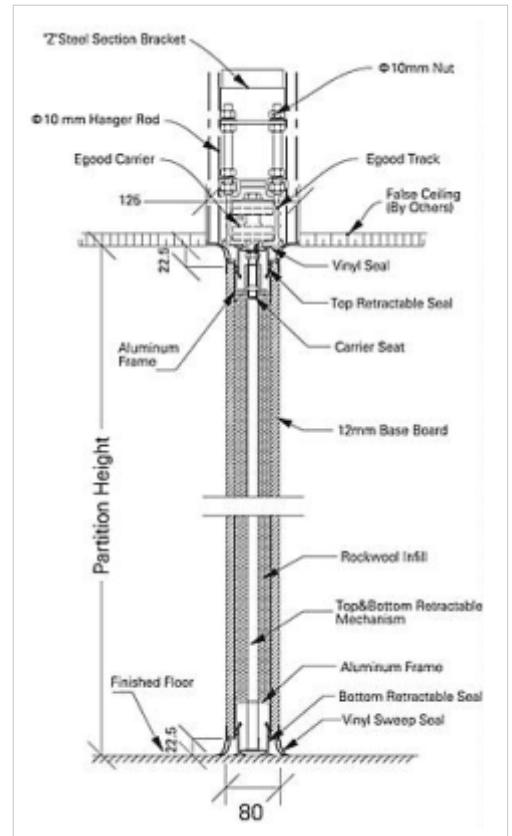
X - JUNCTION



T - JUNCTION



TRACK SYSTEM



VERTICAL SECTION DRAWING



SIO 100 Series.



SIO 100 series operable partition is made of high quality aluminum frame with composite materials. The panel has a standard thickness of 100 mm and a width up to 1230 mm. Maximum height can reach 7500 mm tall. Its vertical seal, together with the horizontal top and bottom retractable seals provide excellent acoustic insulation property of maximum STC 53db in laboratory setting. Its excellent acoustic insulation property and maximum reach allow it to be used in ballroom, banquet hall, multi-function halls, auditorium, exhibition center and other such facilities with high sound insulation requirement.

PROPERTIES:

- 100 mm thickness panel, Max height up to 7500 mm.
- Top supported without floor track or guide.
- Clear anodized extruded aluminum tracks and frames, customized powder coated color are available.
- Sound insulation coefficient: STC 43db to 53db, ASTM standard of acoustic tested in HongKong.
- Available in wide range of finishes.



L - JUNCTION



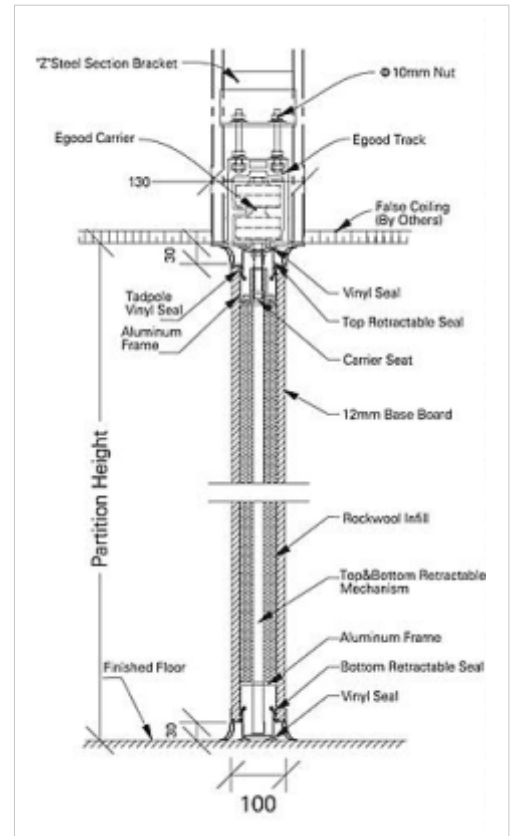
X - JUNCTION



T - JUNCTION



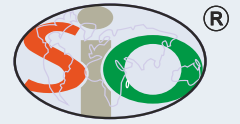
TRACK SYSTEM



VERTICAL SECTION DRAWING



SIO Ultra High Heavy Duty Aluminum Track System.



SIO Ultra high heavy duty aluminum track system are used when the partition height or weight limit exceed that recommended for the normal aluminum system. Maximum height can reach to 12.5 meters with panel weight up to 900kg, each carrier has four steel wheels with precision ground radial bearings. Carriers can be programmed for self-directing and sorting. All junction tracks are factory assembled and welded. Minimum dimension from the ceiling to the structure is 300mm.



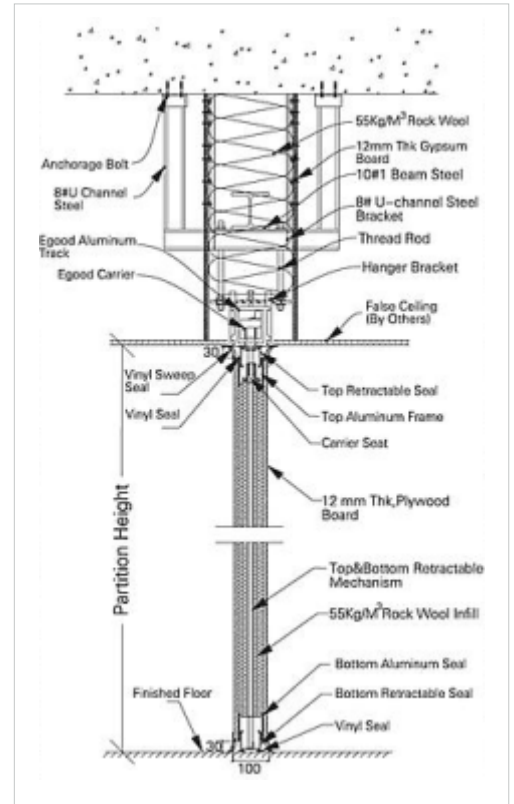
CURVE L - JUNCTION



CURVE T - JUNCTION



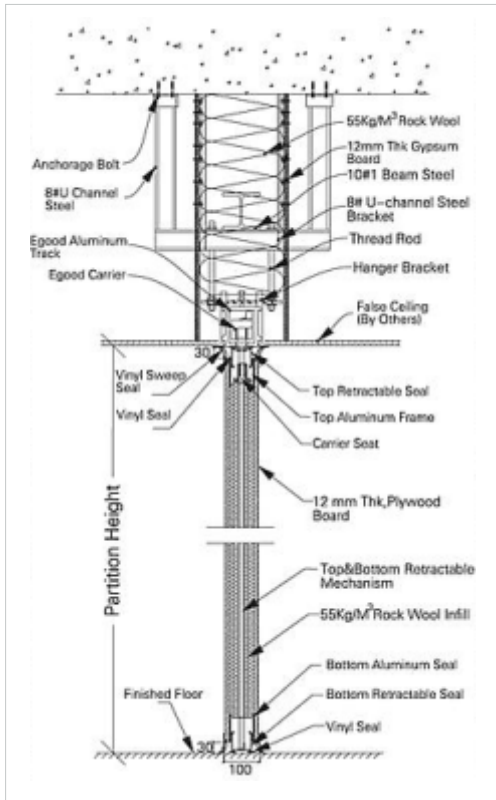
TRACK SYSTEM



VERTICAL SECTION DRAWING

SIO Ultra High Heavy Duty Steel Track System.

SIO Ultra high heavy duty aluminum track system are used when the partition height or weight limit exceed that recommended for the normal aluminum system. Maximum height can reach to 12.5 meters with panel weight up to 900kg, each carrier has four steel wheels with precision ground radial bearings. Carriers can be programmed for self-directing and sorting. All junction tracks are factory assembled and welded. Minimum dimension from the ceiling to the structure is 300mm.



VERTICAL SECTION DRAWING



CURVE T - JUNCTION



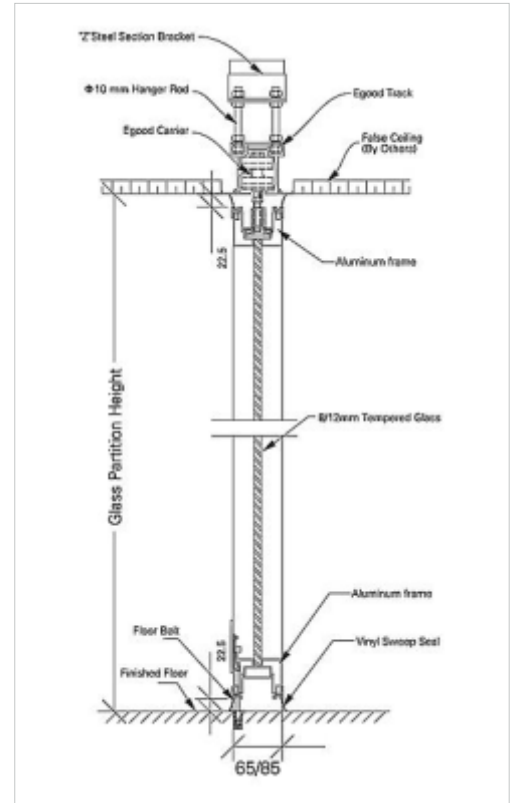
TRACK SYSTEM



SIO Frameless Glass Partition

SIO Frameless Movable Glass Partition consists of glass panels mechanically fastened to horizontal top and bottom rails. The glass has polished edges and no vertical trim - although vertical trim is an available option. Panels can be ordered as single or paired panels. The glass panels move on a ceiling track with no requirement of floor guides or rails.

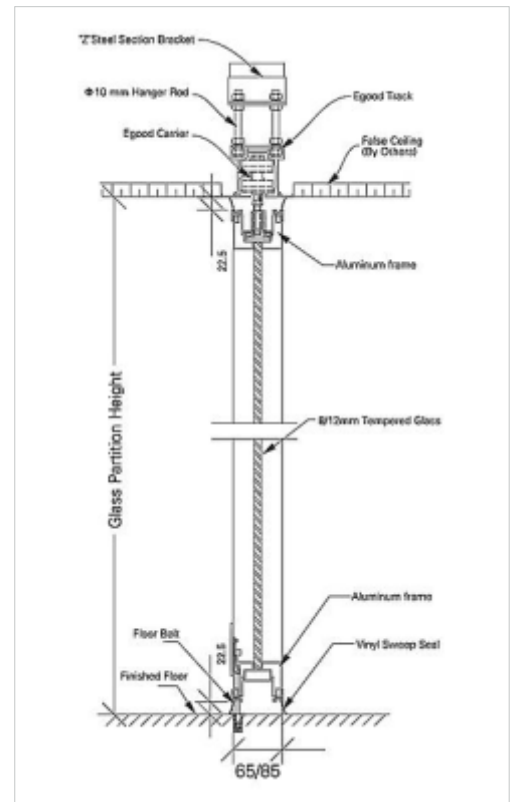
Note: There will be a gap of 6-12 mm between successive glass panels to prevent glass-to-glass contact. The gap varies due to glass industry tolerances.



VERTICAL SECTION DRAWING

SIO Framed Glass Partition

SIO Framed Movable Glass Partition consists of glass surrounded with an aluminum frame that is normal 65 mm or 85 mm thick. Each panel has top and bottom weep seals and a 22.5 mm clearance gap for suspension. Individual or paired panel are available for selection. The standard aluminum frame finish in clear anodized color but it may be ordered powder coated or custom anodized.



VERTICAL SECTION DRAWING



www.sio.co.in

SIO VASUNDDHARA INTERNATIONAL PVT. LTD.

Founded with the vision to work with fairness, honesty and courtesy towards all internal and external stakeholders to achieve the company's objectives, Sio Vasundhara International has serviced such prestigious names as ABB, DLF, L&T, PVR, TAJ hotels and resorts, Unitech, Fortis, Airtel, bata, The Oberoi, HP, Raheja developers and many others.