

# SIO SPIDER FITTINGS

FITTINGS WITH AND WITHOUT FIN

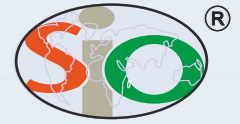


**SIO VASUNDDHARA**  
INTERNATIONAL PRIVATE LIMITED

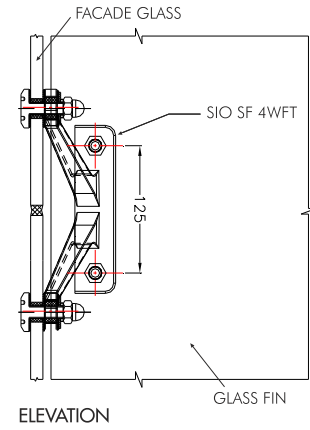
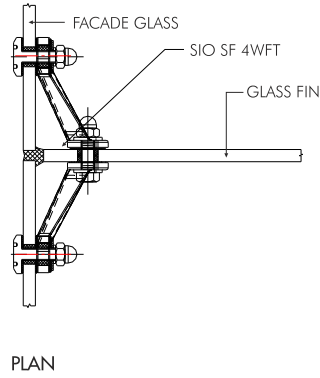
PEOPLE | CUSTOMERS | GROWTH

K - 2/836, Vasant Kunj Road, Near Mata Chowk, Mahipalpur, New Delhi - 110 037, INDIA.  
Ph: +91 11 2678 5169 / 4103 2065 • Email: [contact@sio.co.in](mailto:contact@sio.co.in) • Web: [www.sio.co.in](http://www.sio.co.in)  
For Distribution Inquiries: +91 99104 89457 • For Institutional Inquiries: +91 99589 98108

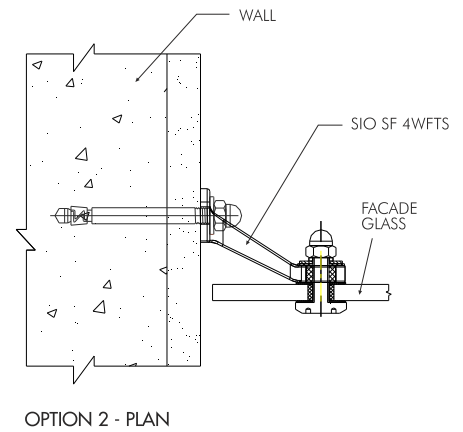
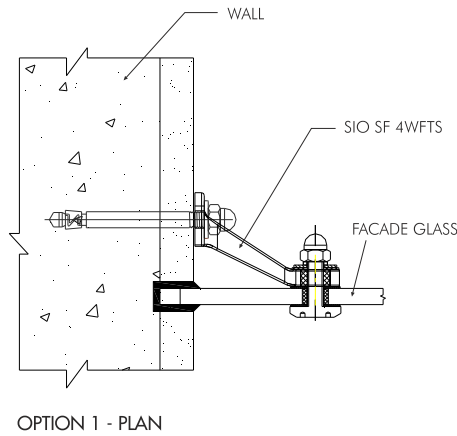
# SIO Spider Fitting with Fin



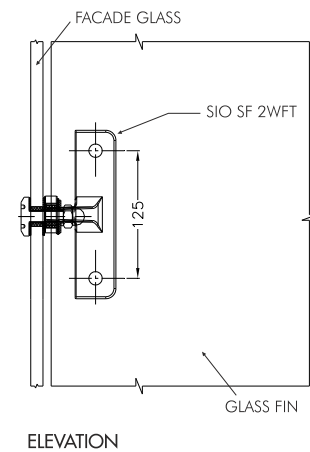
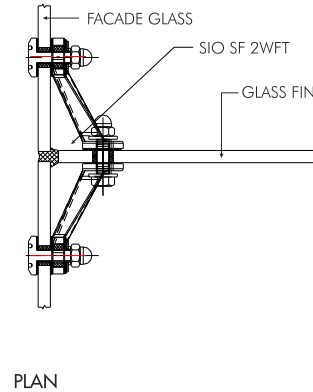
## SIO SF 4WFT Four Arm Fin Type Spider



## SIO SF 4WFTS Two Arm Fin Type Spider



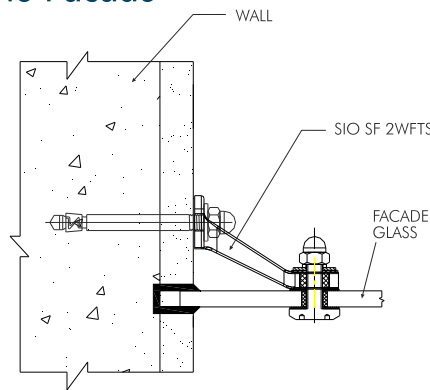
## SIO SF 2WFT Two Arm Fin Type Spider



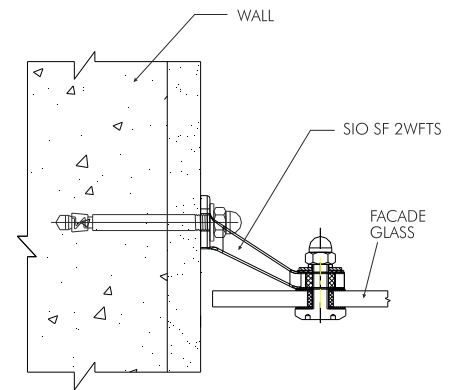
\* Standard Finish - Matt; Available on request - CTC 200/220 mm; SS 304/316; Customized design.



## SIO SF 2WFTS Single Arm Fin Type Spider - Wall to Facade

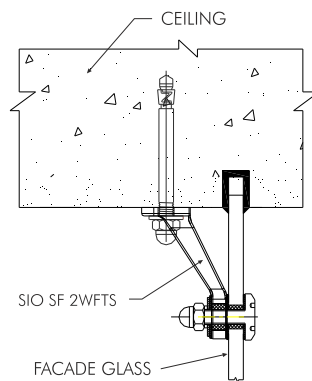


OPTION 1 - PLAN

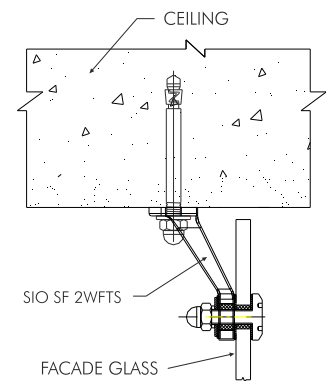


OPTION 2 - PLAN

## SIO SF 2WFTS Single Arm Fin Type Spider - Ceiling to Facade

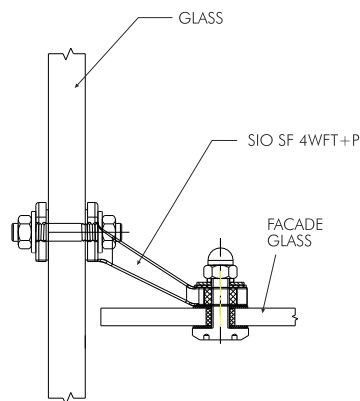


OPTION 1 - SECTION



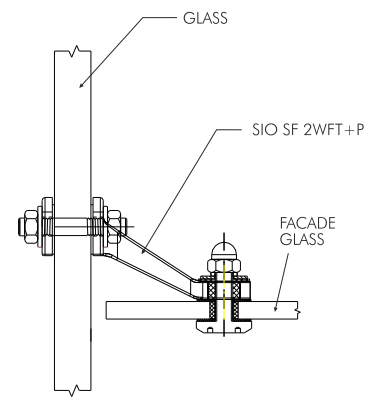
OPTION 2 - SECTION

## SIO SF 4WFT+P Two Arm Fin Type Spider with Back Plate



PLAN

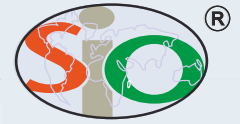
## SIO SF 2WFT+P Single Arm Fin Type Spider with Back Plate



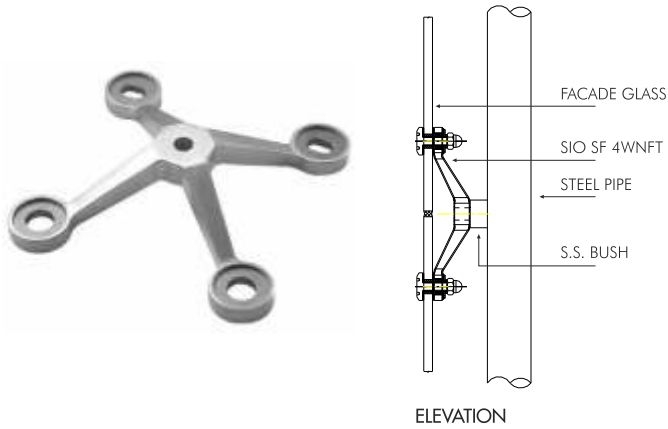
PLAN

\* Standard Finish - Matt; Available on request - CTC 200/220 mm; SS 304/316; Customized design.

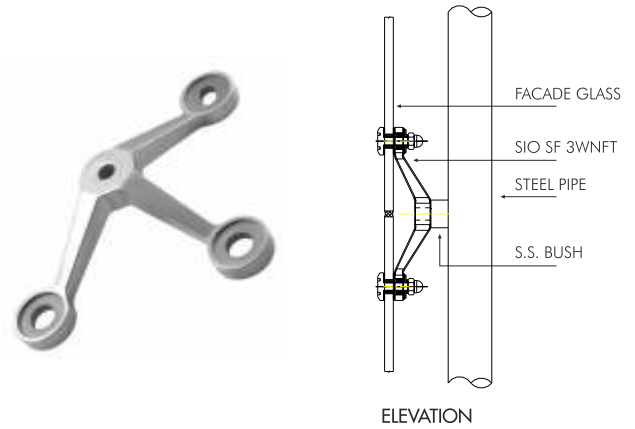
# SIO Spider Fitting without Fin



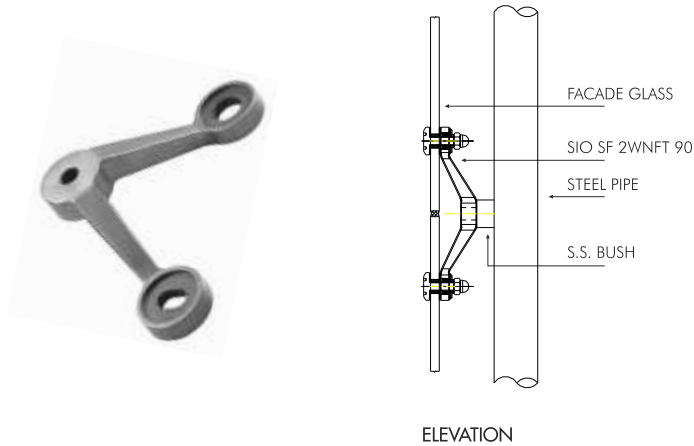
## SIO SF 4WNFT Four Arm Non-Fin Type Spider



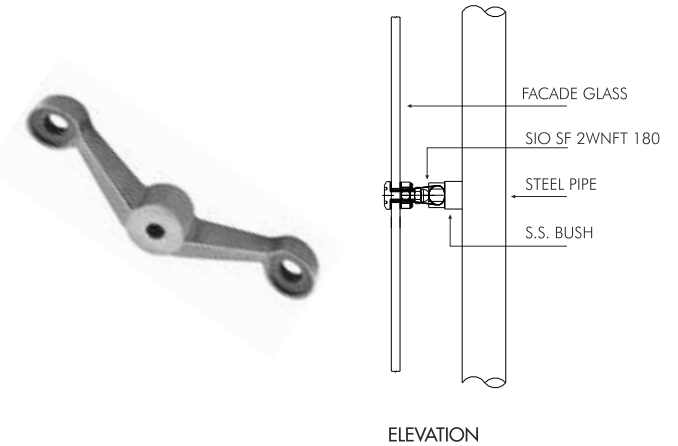
## SIO SF 3WNFT Three Arm Non-Fin Type Spider



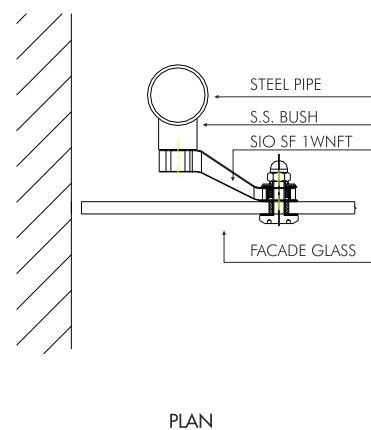
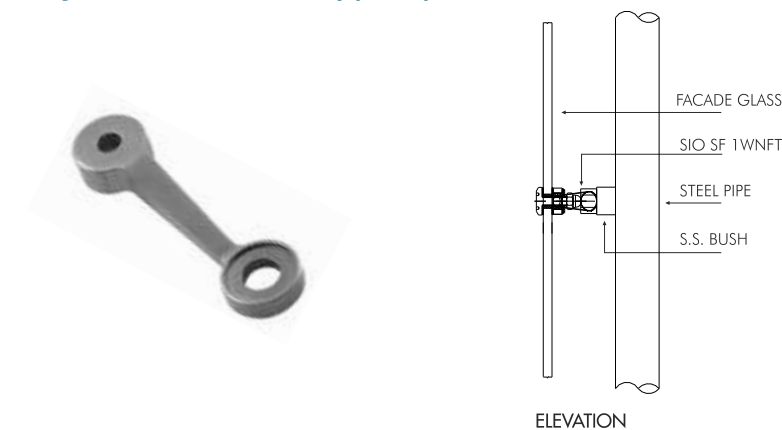
## SIO SF 2WNFT 90 Two Arm 90° Non-Fin Type Spider



## SIO SF 2WNFT 180 Two Arm 180° Non-Fin Type Spider



## SIO SF 1WNFT Single Arm Non-Fin Type Spider

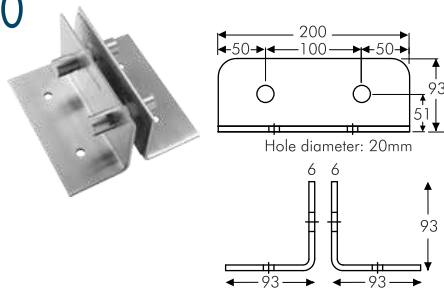


\* Standard Finish - Matt; Available on request - CTC 200/220 mm; SS 304/316; Customized design.

# SIO Fin and Splice Plates



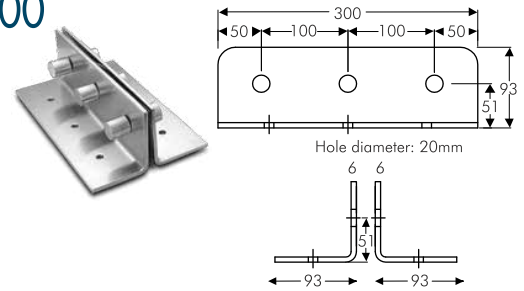
## SIO SF FP200



### Specifications

- Two point holding of fin
- With teflon washers to prevent glass from damage

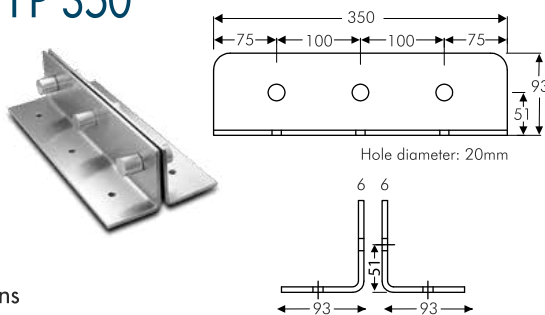
## SIO SF FP300



### Specifications

- Three point holding of fin
- With teflon washers to prevent glass from damage

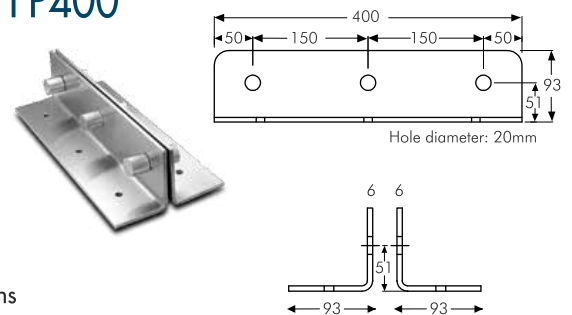
## SIO SF FP 350



### Specifications

- Three point holding of fin
- With teflon washers to prevent glass from damage

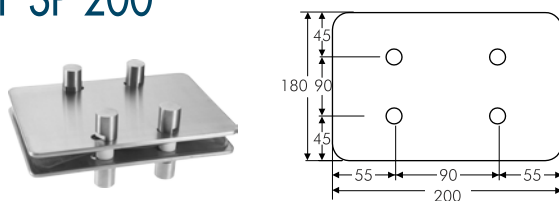
## SIO SF FP400



### Specifications

- Three point holding of fin
- With teflon washers to prevent glass from damage

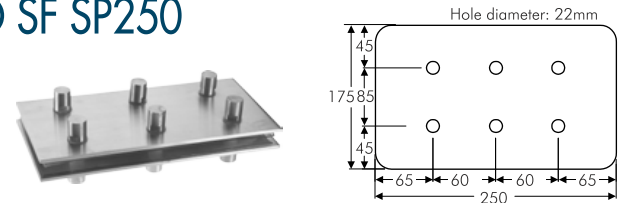
## SIO SF SP 200



### Specifications

- Two point holding with each fin part
- With teflon washers to prevent glass from damage

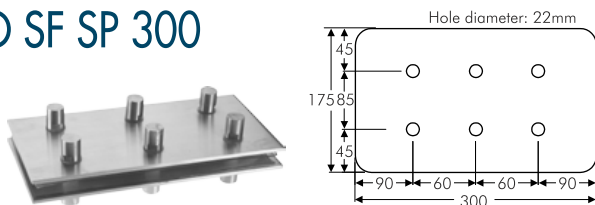
## SIO SF SP250



### Specifications

- Three point holding with each fin part
- With teflon washers to prevent glass from damage

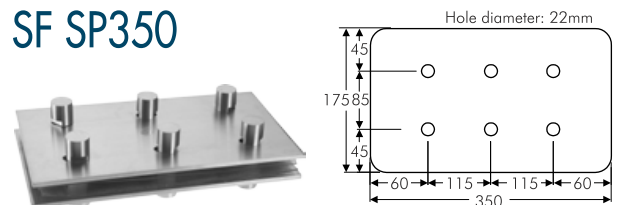
## SIO SF SP 300



### Specifications

- Three point holding with each fin part
- With teflon washers to prevent glass from damage

## SIO SF SP350

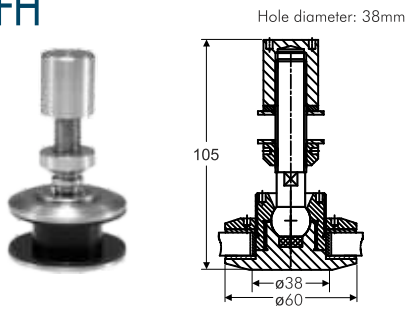


### Specifications

- Three point holding with each fin part
- With teflon washers to prevent glass from damage

\* Standard Finish - Matt. Dimensions are subject to change.  
Please refer to actual product for hole preparation. Customized solutions available as per requirement.

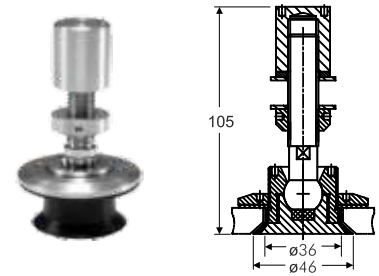
## SIO SF RTA 36 FH



### Specifications

- Articulated flat head routil to be used with spiders to hole glass
- With teflon washers to prevent glass from damage
- Adjustable upto 15mm glass thickness

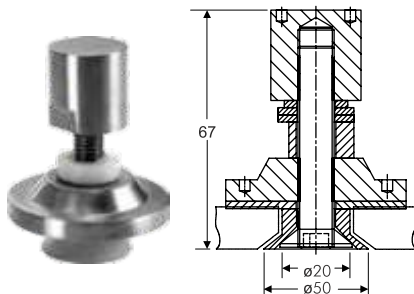
## SIO SF RTA CS



### Specifications

- Articulated Cunter Sunk routil to be used with spiders to hole glass
- With teflon washers to prevent glass from damage
- Adjustable upto 15mm glass thickness

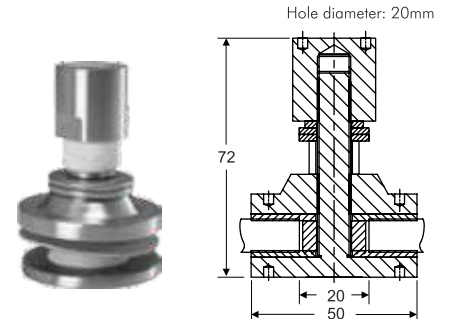
## SIO SF RTF CS



### Specifications

- Countersunk head routil to be used along with spiders to hold glass
- With teflon washers to prevent glass from damage

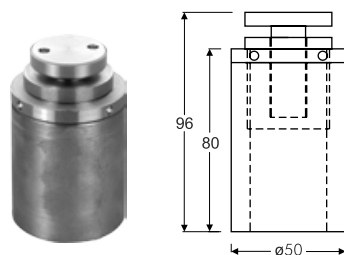
## SIO SF RTF FH



### Specifications

- Fixed flat head routil to be used along with spiders to hold glass
- With teflon washers to prevent glass from damage
- Adjustable to glass thickness. Smaller in sizes.

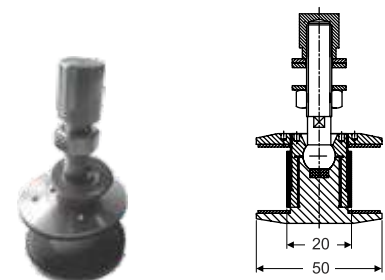
## SIO SF RT FB



### Specifications

- Fixing bolt helps to hold without fin spiders with fixed structure
- Adjustable height for accurate fixing of spider with flat head

## SIO SF RTRB



### Specifications

- Rigid Bolt to be used along with spiders to hole glass
- With teflon washers to prevent glass from damage
- Adjustable upto 15mm glass thickness.

\* Standard Finish - Matt. Dimensions are subject to change.  
Please refer to actual product for hole preparation. Customized solutions available as per requirement.